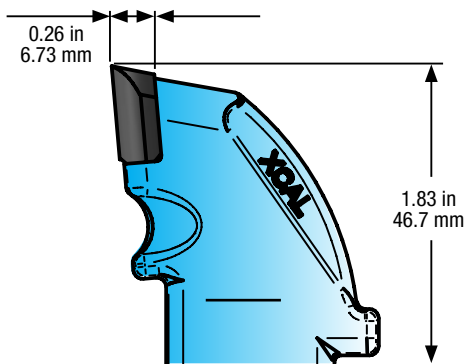


Drilling



Features:

- Protruding nose for better penetration
- For use on Core Barrel and Casing Shoes



XJL7
Carbide Radial
(Plug/Valve Seat)

Tool Part Number	Shank (in, mm)	Tip Diameter (in, mm)	Gauge (in, mm)	Pieces per Box	Pieces per Pallet
XJL7	1.80 in 45.0 mm	0.26 in 6.7 mm	1.83 in 46.7 mm	60	3600



Proudly made in the U.S.A.