

Drilling

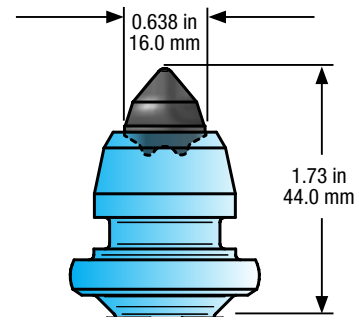


Features:

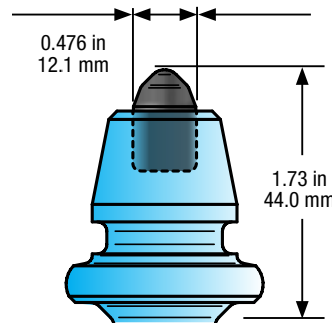
- Bumped sleeve for improved retention
- Puller Groove to aid in extraction
- Interchangeable series offers flexibly

Tool Part Number	Shank (in, mm)	Shoulder (in, mm)	Tip Diameter (in, mm)	Gauge (in, mm)	Pieces per Box	Pieces per Pallet
TJ401	0.86 in 22.0 mm	1.5 in 38.1 mm	0.638 in 16.0 mm	1.73 in 44.0 mm	50	3000
TJ403	0.86 in 22.0 mm	1.5 in 38.1 mm	0.476 in 12.1 mm	1.73 in 44.0 mm	50	3000
TJ474	0.86 in 22.0 mm	1.5 in 38.1 mm	0.708 in 17.98 mm	1.73 in 44.0 mm	50	3000

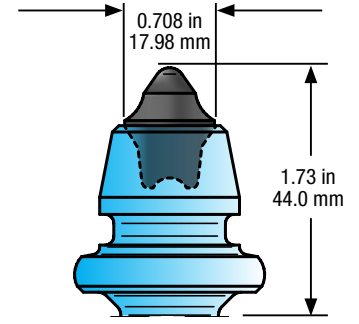
Block Part Number	Bore Hole Diameter (in, mm)	Width (in, mm)	Angle (degrees)	Internal Groove	Pieces per Box	Pieces per Pallet
B22NR45	0.885 in 22.48 mm	1.512 in 38.4 mm	45°	Yes	35	2100
B22H45	0.885 in 22.48 mm	1.625 in 47.3 mm	45°	Yes	35	2100
B22HT45	0.885 in 22.48 mm	1.625 in 47.3 mm	45°	Yes	35	2100



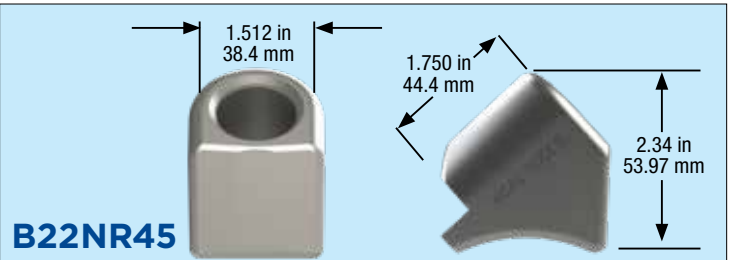
TJ401
Carbide Valve Seat Cap



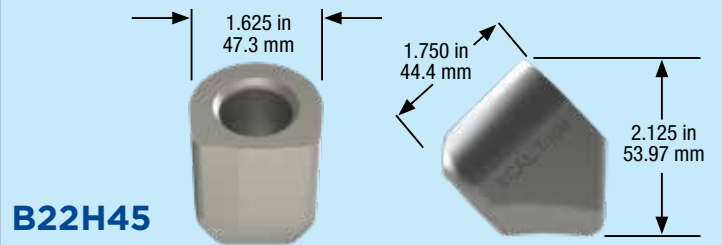
TJ403
Carbide Plug



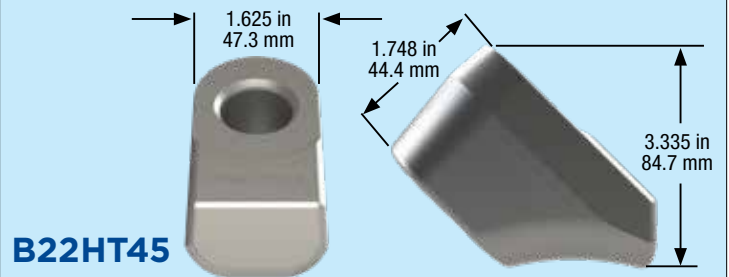
TJ474
Carbide Hybrid
(Plug/Valve Seat)



B22NR45



B22H45

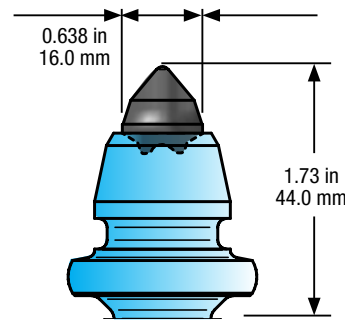


B22HT45

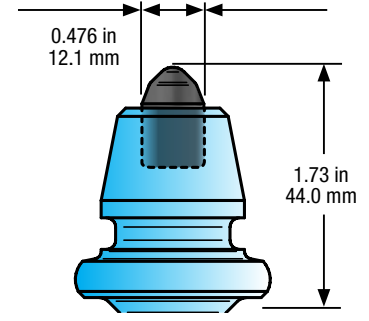


Proudly made in the U.S.A.

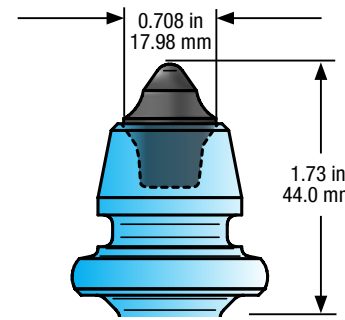
Drilling



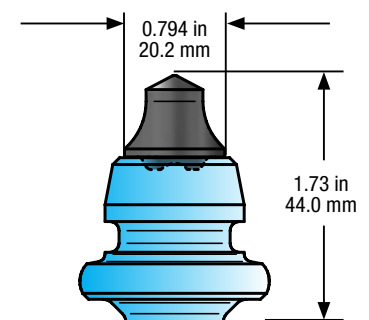
TJ401L
Carbide Valve Seat Cap



TJ403L
Carbide Plug



TJ474L
Carbide Hybrid
(Plug/Valve Seat)



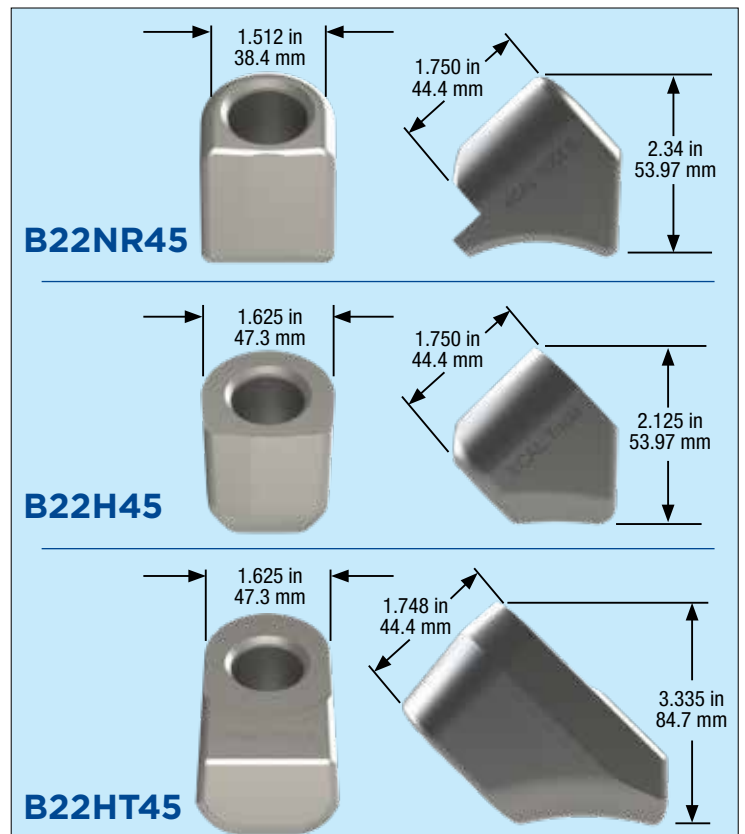
TJ486L
Carbide Valve Seat Cap

Features:

- Offered in a wide range of tips for impact and highly abrasive material
- Puller Groove to aid in extraction
- Interchangeable series offers flexibly

Tool Part Number	Shank (in, mm)	Shoulder (in, mm)	Tip Diameter (in, mm)	Gauge (in, mm)	Pieces per Box	Pieces per Pallet
TJ401L	0.86 in 22.0 mm	1.5 in 38.1 mm	0.638 in 16.0 mm	1.73 in 44.0 mm	50	3000
TJ403L	0.86 in 22.0 mm	1.5 in 38.1 mm	0.476 in 12.1 mm	1.73 in 44.0 mm	50	3000
TJ474L	0.86 in 22.0 mm	1.5 in 38.1 mm	0.708 in 17.98 mm	1.73 in 44.0 mm	50	3000
TJ486L	0.86 in 22.0 mm	1.5 in 38.1 mm	0.794 in 20.2 mm	1.73 in 44.0 mm	50	3000

Block Part Number	Bore Hole Diameter (in, mm)	Width (in, mm)	Angle (degrees)	Internal Groove	Pieces per Box	Pieces per Pallet
B22NR45	0.885 in 22.48 mm	1.512 in 38.4 mm	45°	Yes	35	2100
B22H45	0.885 in 22.48 mm	1.625 in 47.3 mm	45°	Yes	35	2100
B22HT45	0.885 in 22.48 mm	1.625 in 47.3 mm	45°	Yes	35	2100



Proudly made in the U.S.A.