

# S-2000 Square Washers

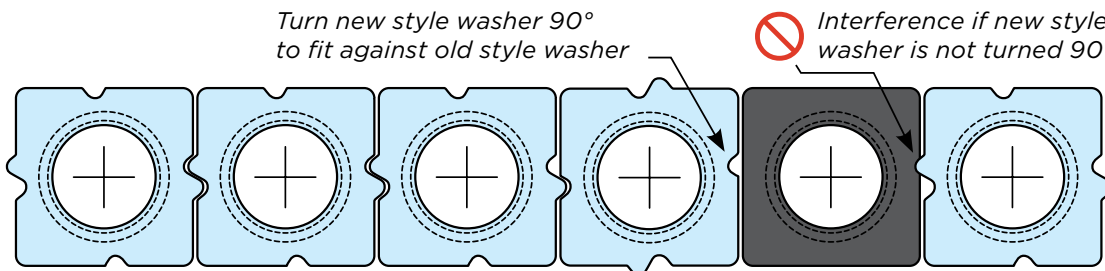
## Benefits:

- New “gear tooth” arrangement prevents washers from sliding and opening a gap between the tools
- Compatible with old-style square washer and end protectors
- Pre-compressed retainer for easy installation
- Enhances tool rotation eliminating premature wear of carbide tips
- Eliminates washer rotation, preventing wear between washer and mating surface
- Provides support and stability to the tool with an extruded cone that fits neatly into the bore of the adapter board



Hexagon design makes install and removal **QUICK & EASY!**

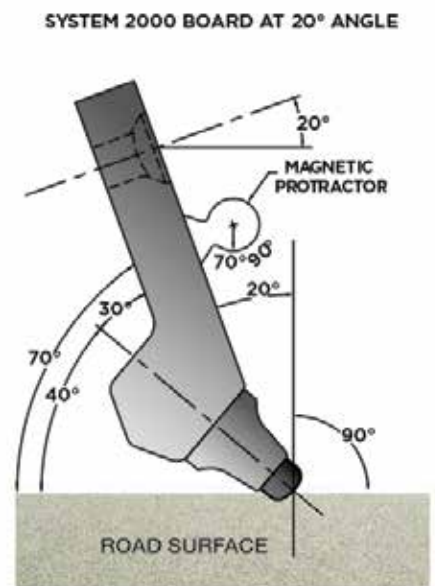
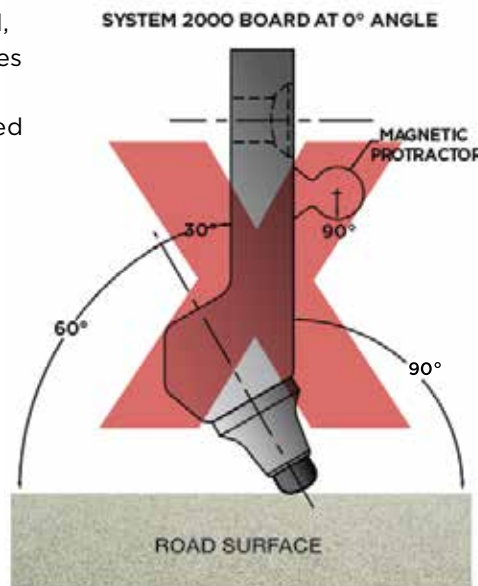
- The S-2000 square washers act as a replaceable “armor plate” wear surface preventing material buildup to allow the tool to rotate freely for improved cutting ability. The square design eliminates washer rotation preventing wear between the washer and the adapter board.



S-2000 Square Washers With Interlocking Feature  
(For 22 mm and 25 mm Tools) \*Patent-Protected Square Washer

## Why the angle makes a difference:

The unique operating angle of the board, that is 20° back from vertical, creates a mixing action that produces a homogeneous blend of material. This can significantly reduce the need to add new gravel.



Proudly made in the U.S.A.

