

# 22 mm Grading System



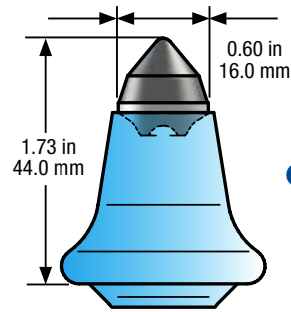
## Features:

- Multiple tip options for different applications

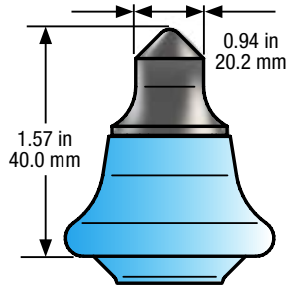


## Features:

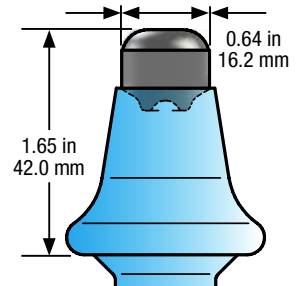
- Square washer “gear tooth” arrangement prevents washer movement allowing gap between tools
- Precompressed retainer for easier installation
- Enhances tool rotation
- Serves as replaceable wear plate/surface
- GWX28 has hex shape tail allowing tool to spin and clean out fines for better rotation



**G01**  
Valve-Seat Carbide Tip

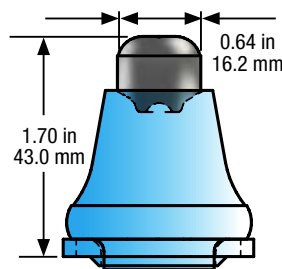


**G27**  
Valve-Seat Carbide Tip

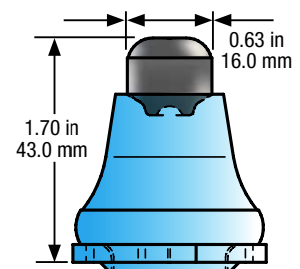


**G28**  
Valve-Seat Carbide Tip

Part Number	Shank (in, mm)	Tip Diameter (in, mm)	Base Diameter (in, mm)	Gauge (in, mm)	Pieces per Box	Pieces per Pallet
G01	0.87 in 22.0 mm	1.11 in 12.8 mm	0.60 in 16.0 mm	1.73 in 44.0 mm	65	3900
G27	0.87 in 22.0 mm	0.40 in 10.1 mm	0.94 in 20.2 mm	1.57 in 40.0 mm	65	3900
G28	0.87 in 22.0 mm	0.64 in 16.2 mm	0.64 in 16.2 mm	1.65 in 42.0 mm	65	3900



**GW28**  
Valve-Seat Carbide Tip



**GWX28**  
Valve-Seat Carbide Tip

Part Number	Shank (in, mm)	Tip Diameter (in, mm)	Base Diameter (in, mm)	Gauge (in, mm)	Pieces per Box	Pieces per Pallet
GW28	0.87 in 22.0 mm	0.64 in 16.2 mm	0.64 in 16.2 mm	1.70 in 43.0 mm	50	3000
GWX28	0.87 in 22.0 mm	0.64 in 16.2 mm	0.63 in hex 16.0 mm hex	1.670 in 43.0 mm	50	3000



Proudly made in the U.S.A.



# 22 mm Grading System



Part Number	Length (ft, m)	Bolt Size (in, mm)	Tool Capacity
GB223658	3 ft .914 m	0.625 in 15.875 mm	24
GB224858	4 ft 1.219 m	0.625 in 15.875 mm	32
GB223634	3 ft .914 m	0.75 in 19.05 mm	24
GB224834	4 ft 1.219 m	0.75 in 19.05 mm	32

## Features:

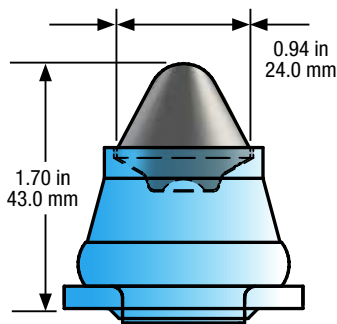
- Tool spacing 1.50" / 38.1 mm
- Multi-piece assembly allows for manageable installation
- Board fits bits G01, G27, G28, GW28, GWX28



Part Number	Length (ft, m)	Bolt Size (in, mm)	Tool Capacity
GB223658G	3 ft .914 m	0.625 in 15.875 mm	21
GB224858G	4 ft 1.219 m	0.625 in 15.875 mm	28
GB223634G	3 ft .914 m	0.75 in 19.05 mm	21
GB224834G	4 ft 1.219 m	0.75 in 19.05 mm	28

## Features:

- Tool spacing is 1.72"/43.7 mm
- Tool bores feature internal clip groove for use with any style retainer
- Multi-piece assembly allows for manageable installation
- Board fits bit GW2270



## GW2270

Valve-Seat Carbide Tip

Part Number	Shank (in, mm)	Tip Diameter (in, mm)	Base Diameter (in, mm)	Gauge (in, mm)	Pieces per Box	Pieces per Pallet
GW2270	0.87 in 22 mm	N/A	0.94 in 24.0 mm	1.07 in 43.0 mm	40	2400



Proudly made in the U.S.A.

