

Trenching

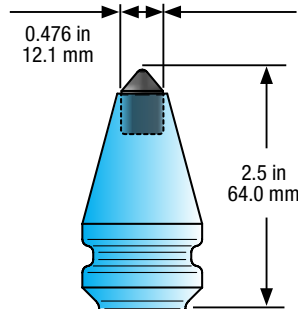


Features:

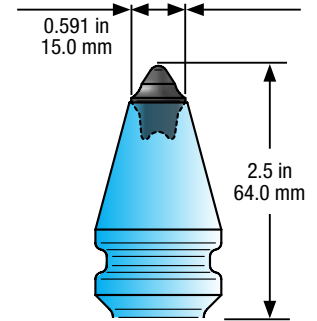
- Sharp nose for increased penetration
- Offered in a Hybrid tip, or Plug tip for impact and highly abrasive material
- Interchangeable series offers flexibility

Tool Part Number	Shank (in, mm)	Shoulder (in, mm)	Tip Diameter (in, mm)	Gauge (in, mm)	Pieces per Box	Pieces per Pallet
DR35	1.0 in 25.0 mm	1.5 in 38.1 mm	0.476 in 12.1 mm	2.5 in 64.0 mm	35	2100
DR73	1.0 in 25.0 mm	1.5 in 38.1 mm	0.591 in 15.0 mm	2.5 in 64.0 mm	35	2100
DR74	1.0 in 25.0 mm	1.5 in 38.1 mm	0.708 in 17.9 mm	2.5 in 64.0 mm	35	2100
DR75	1.0 in 25.0 mm	1.5 in 38.1 mm	.817 in 20.75 mm	2.5 in 64.0 mm	35	2100

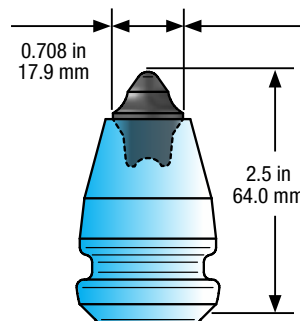
Block Part Number	Bore Hole Diameter (in, mm)	Width (in, mm)	Angle (degrees)	Internal Groove	Pieces per Box	Pieces per Pallet
B25HN45	1.012 in 25.71 mm	1.72 in 43.7 mm	45°	Yes	15	900
B25H45	1.012 in 25.71 mm	1.969 in 50.0 mm	45°	Yes	8	480



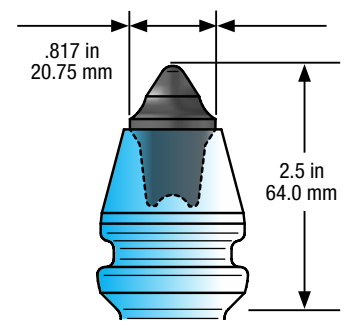
DR35
Carbide Plug



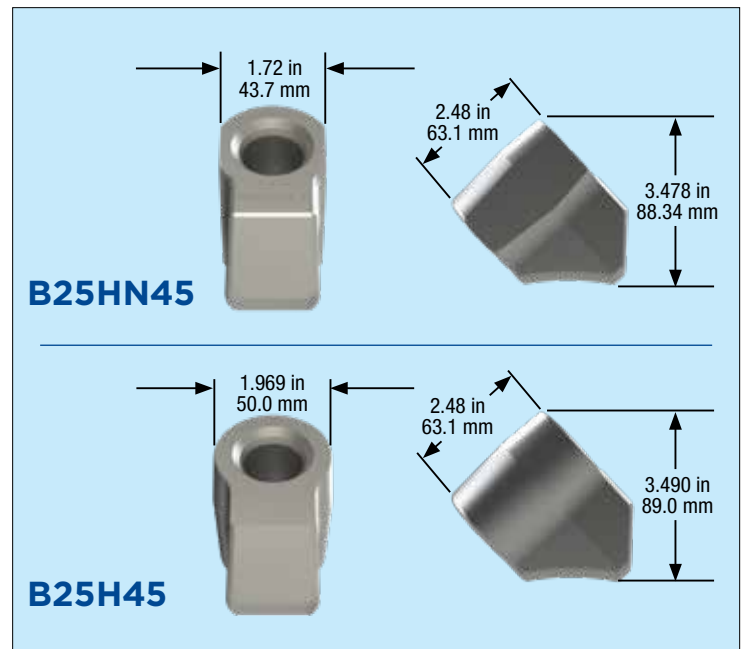
DR73
Carbide Hybrid
(Plug/Valve Seat)



DR74
Carbide Hybrid
(Plug/Valve Seat)



DR75
Carbide Hybrid
(Plug/Valve Seat)



Proudly made in the U.S.A.

Trenching

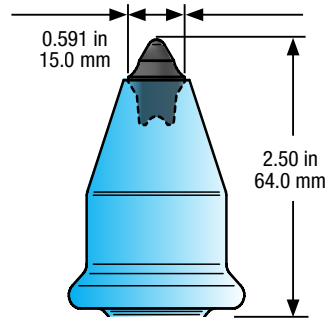


Features:

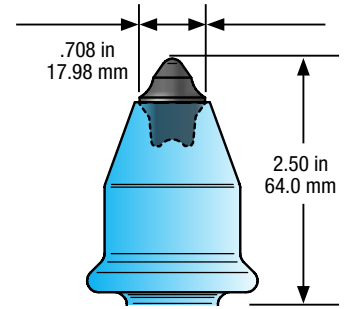
- Wide-flare shoulder provides maximum block and bore protection
- Offered in a Hybrid tip or Wide-Top tip for impact and highly abrasive material
- Interchangeable series offers flexibility

Tool Part Number	Shank (in, mm)	Shoulder (in, mm)	Tip Diameter (in, mm)	Gauge (in, mm)	Pieces per Box	Pieces per Pallet
DRW73	1.0 in 25 mm	1.84 in 46.7 mm	0.591 in 15.0 mm	2.50 in 64.0 mm	25	1500
DRW74	1.0 in 25 mm	1.84 in 46.7 mm	.708 in 17.98 mm	2.50 in 64.0 mm	25	1500
DRW75	1.0 in 25 mm	1.84 in 46.7 mm	.817 in 20.75 mm	2.50 in 64.0 mm	25	1500
DRW76	1.0 in 25 mm	1.84 in 46.7 mm	0.930 in 23.62 mm	2.50 in 64.0 mm	25	1500

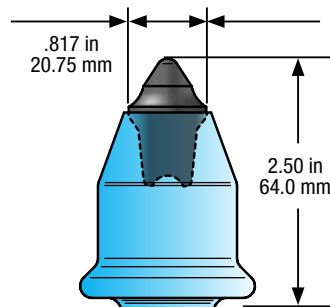
Block Part Number	Bore Hole Diameter (in, mm)	Width (in, mm)	Angle (degrees)	Internal Groove	Pieces per Box	Pieces per Pallet
B25HN45	1.012 in 25.71 mm	1.72 in 43.7 mm	45°	Yes	15	900
B25H45	1.012 in 25.71 mm	1.969 in 50.0 mm	45°	Yes	8	480



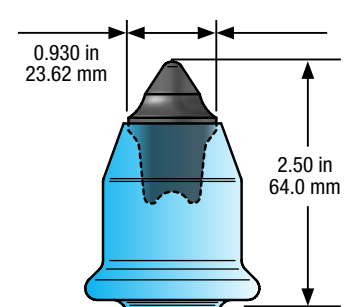
DRW73
Carbide Hybrid
(Plug/Valve Seat)



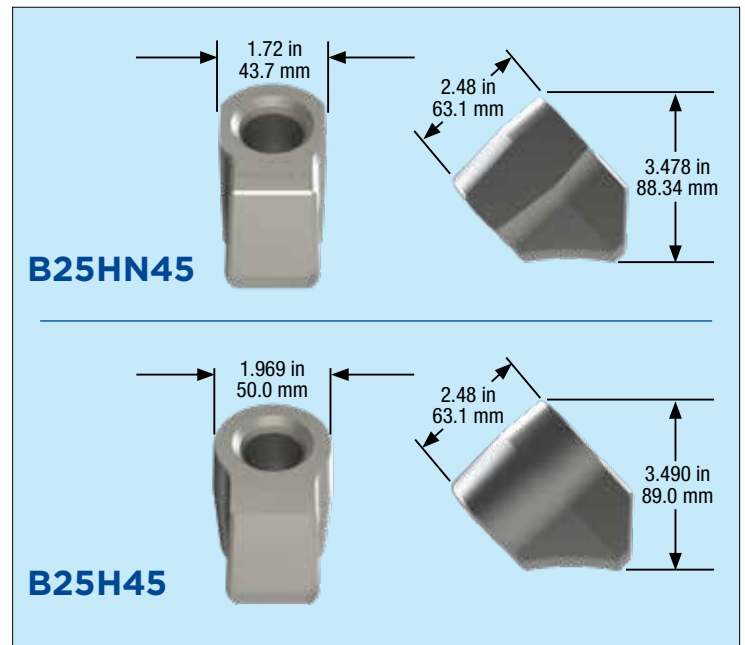
DRW74
Carbide Hybrid
(Plug/Valve Seat)



DRW75
Carbide Hybrid
(Plug/Valve Seat)



DRW76
Carbide Hybrid
(Plug/Valve Seat)



Proudly made in the U.S.A.

Trenching

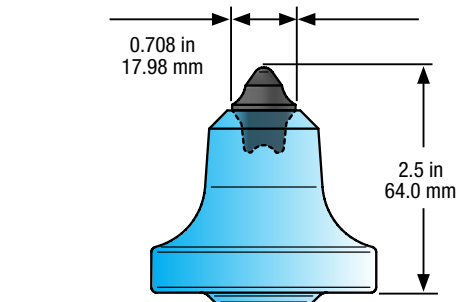


Features:

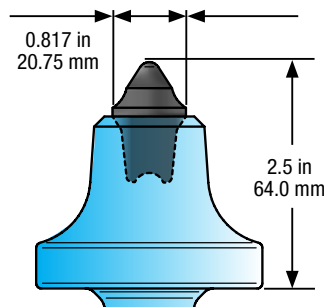
- Standard body design 2.5 in/64.0 mm gauge
- Wide-flare shoulder provides maximum block and face protection
- Design evenly distributes impact loads through tool shoulder

Tool Part Number	Shank (in, mm)	Width (in, mm)	Tip Diameter (in, mm)	Gauge (in, mm)	Pieces per Box	Pieces per Pallet
TR74	1.0 in 25.0 mm	2.5 in 64.0 mm	0.708 in 17.98 mm	2.5 in 64.0 mm	15	900
TR75	1.0 in 25.0 mm	2.5 in 64.0 mm	0.817 in 20.75 mm	2.5 in 64.0 mm	15	900
TR76	1.0 in 25.0 mm	2.5 in 64.0 mm	0.93 in 23.62 mm	2.5 in 64.0 mm	15	900

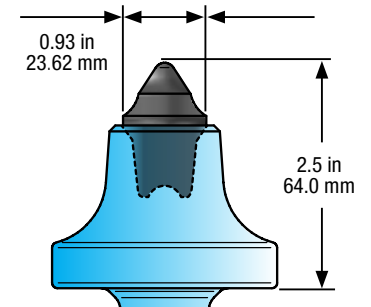
Block Part Number	Bore Hole Diameter (in, mm)	Width (in, mm)	Angle (degrees)	Internal Groove	Pieces per Box	Pieces per Pallet
B25HN45	1.012 in 25.71 mm	1.72 in 43.7 mm	45°	Yes	15	900
B25H45	1.012 in 25.71 mm	1.969 in 50.0 mm	45°	Yes	8	480
B25H50S	1.012 in 25.71 mm	2.63 in 66.8 mm	50°	Yes	6	360
B25H50L	1.012 in 25.71 mm	2.63 in 66.8 mm	50°	Yes	6	360



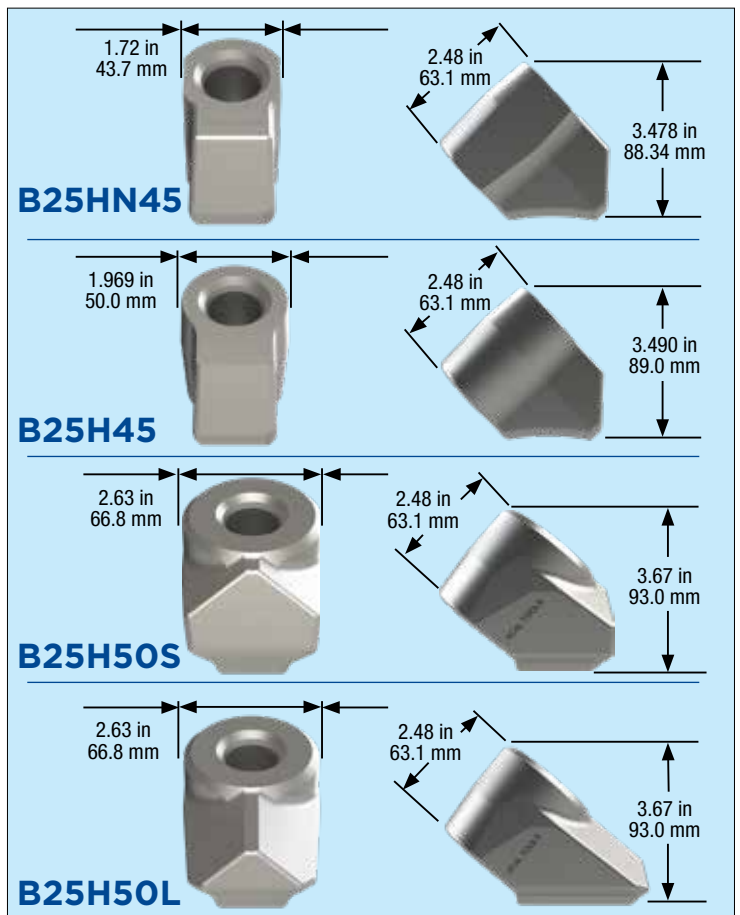
TR74
Carbide Hybrid (Plug/Valve Seat)



TR75
Carbide Hybrid
(Plug/Valve Seat)



TR76
Carbide Hybrid
(Plug/Valve Seat)



Proudly made in the U.S.A.

Trenching

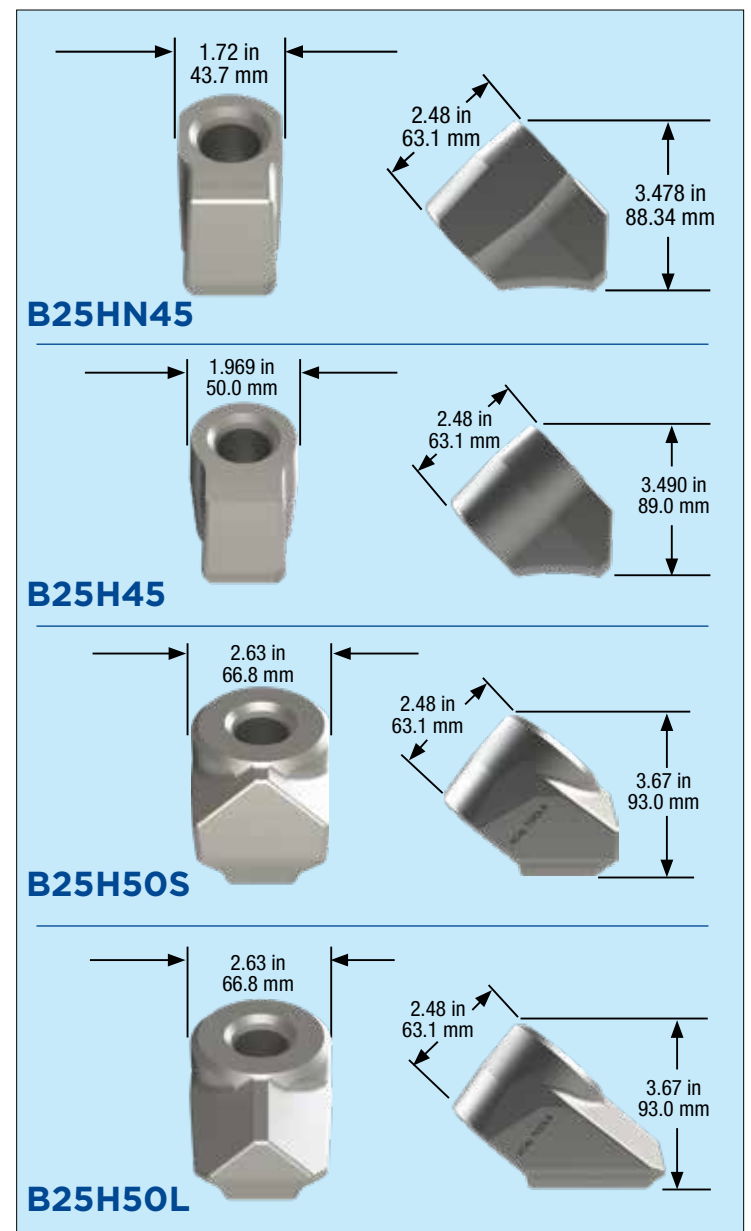
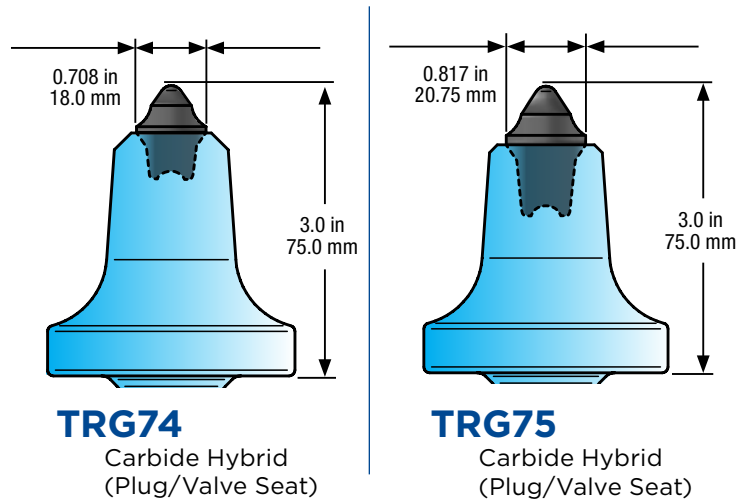


Features:

- Standard body design 3 in/75 mm gauge
- Wide-flare shoulder provides maximum block and face protection
- Design evenly distributes impact loads through tool shoulder

Tool Part Number	Shank (in, mm)	Shoulder (in, mm)	Tip Diameter (in, mm)	Gauge (in, mm)	Pieces per Box	Pieces per Pallet
TRG74	1.0 in 25.0 mm	2.5 in 64.0 mm	0.708 in 18.0 mm	3.0 in 75.0 mm	15	900
TRG75	1.0 in 25.0 mm	2.5 in 64.0 mm	0.817 in 20.75 mm	3.0 in 75.0 mm	15	900

Block Part Number	Bore Hole Diameter (in, mm)	Width (in, mm)	Angle (degrees)	Internal Groove	Pieces per Box	Pieces per Pallet
B25HN45	1.012 in 25.71 mm	1.72 in 43.7 mm	45°	Yes	15	900
B25H45	1.012 in 25.71 mm	1.969 in 50.0 mm	45°	Yes	8	480
B25H50S	1.012 in 25.71 mm	2.63 in 66.8 mm	50°	Yes	6	360
B25H50L	1.012 in 25.71 mm	2.63 in 66.8 mm	50°	Yes	6	360



Proudly made in the U.S.A.