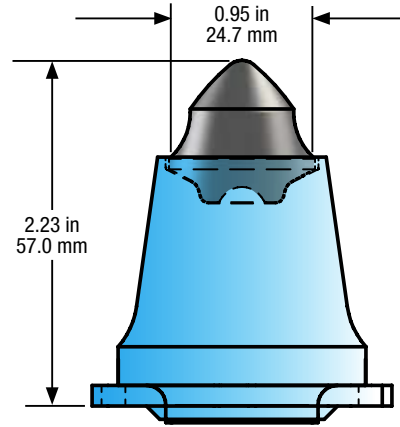


25 mm Grading System

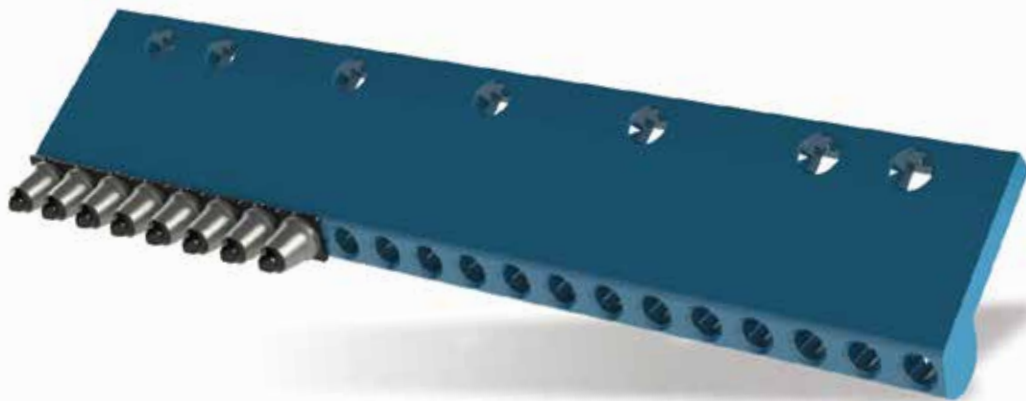


GW2523
Valve-Seat Carbide Tip

Features:

- “Gear Tooth” washer protects board mating face
- Pre-compressed retainer for easy installation
- 25 mm shank

Part Number	Shank (in, mm)	Tip Diameter (in, mm)	Base Diameter (in, mm)	Gauge (in, mm)	Pieces per Box	Pieces per Pallet
GW2523	0.98 in 25.0 mm	0.68 in 17.3 mm	0.95 in 24.7 mm	2.23 in 57.0 mm	30	1800



Part Number	Length (ft, m)	Bolt Size (in, mm)	Tool Capacity
GB2536	3 ft .914 m	0.75 in 19.05 mm	21
GB2548	4 ft 1.219 m	0.75 in 19.05 mm	28

Features:

- Tool spacing is 1.72"/43.7 mm
- Multi-piece assembly allows for manageable installation
- Board fits bit GW2523



Proudly made in the U.S.A.

